



SantaLuzia[®]
INSTALLATION GUIDE
WALL PANELING

Address : 555 Heriberto Effting
Santa Luzia Braço do Norte / SC - Brazil
Zip Code: 88750-000
Contact: +55 (48) 3651-1363
Customersuport@santaluziamouldings.com

Index

Installation guide 3

1. Equipment needed: 3

1.1. Important precautions:..... 3

1.2. Wall application:..... 3

2. Products..... 3

2.1. Slatted and Batten 3

2.2. Slatted Wall Panel 55 and 105 4

2.3. WAVES 6

2.4. GIZE 7

2.5. UBA 8

2.6. Nero Collection 9

2.7. Wainscots..... 10

3. Technical drawing table 11

4. SUGGESTED INSTALLATION MATERIALS 13

5. 45° Union:..... 13

6. Ceiling application:..... 13

7. Important consumer information 13



Installation guide

1. Equipment needed:

- Protective equipment (goggles, ear plugs);
- Level gauge, meter or tape measure and pencil for marking;
- Miter saw, preferably electric;
- Heavy Duty Adhesive;
- Caulk or Sealant;
- Instant Super Glue;
- Cleaning cloth;
- Double Sided Tape.

1.1. Important precautions:

- Do not install in places with direct sunlight and/or outside.
- Do not install on any kind of debris and/or dirt on the wall to which the product will be applied;
- Do not install on damp, lumpy or unstable surfaces.
- Apply at least one coat of paint to the surface where the product will be installed;
- For ceiling installation, use mechanical fixings (pins or similar), in addition to Heavy Duty Adhesive and Double Sided Tape.
- It is strongly recommended that all products are visually inspected when the packaging is opened.
- **INSTALLED PRODUCT IS CONSIDERED ACCEPTED PRODUCT!**

1.2. Wall application:

1. After cleaning the surface where the bar will be applied, use a level to mark the place where the first slat will be applied and draw a straight line to ensure that it is in the desired position.
2. Cut the bars according to the size of your wall. If you need to splice the bars, use Instant Super Glue or similar to minimize possible cracks.
3. Clean the back of the bar, removing any residue and burrs from the cut.

2. Products

2.1. Slatted and Batten

- See item 3 Technical drawing table
- a) Apply pieces of Double Sided Tape 1' to 2' inch long, spaced no more than 15' inches apart. See figure 01.
 - b) On the back of the bar that will be in contact with the wall, apply strands of Heavy Duty Adhesive between the breaks in the Double Sided Tape. See figure 2 below

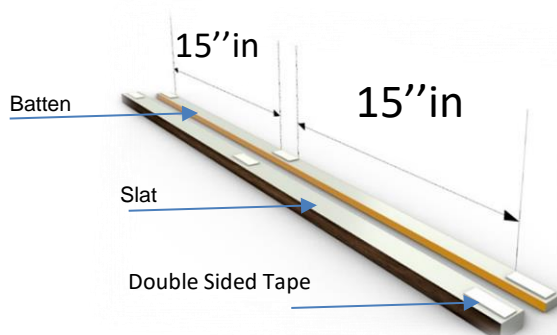


figure 1

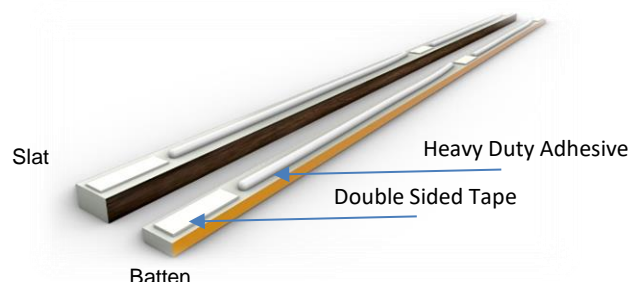


figure 2



- c) Now place the bar in the installation position, fitting one into the other, and press it against the wall, see Figure 03. For a more efficient result, hold for about 30 seconds, you have the option of interleaving Lath and Fillet. Or if you prefer, you can apply the lath leaving the background the color of your choice, see Figure 4. We recommend that you use one of the laths to create a template so that the bars are arranged the same distance apart.

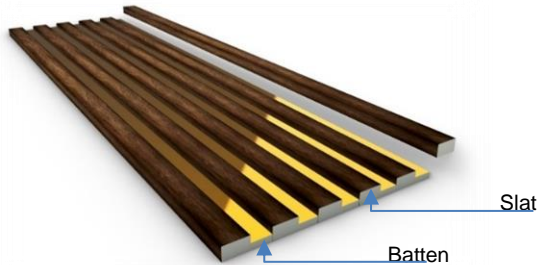


figure 3



figure 4

2.2. Slatted Wall Panel 55 and 105

- See item 3 Technical drawing table
- a. Apply pieces of Double Sided Tape between 1" to 2" inch long, spaced no more than 15' inches apart. Start applying the Double Sided Tape at the ends of the bars and one more at each end. See Illustrative figure 05, 06 below.

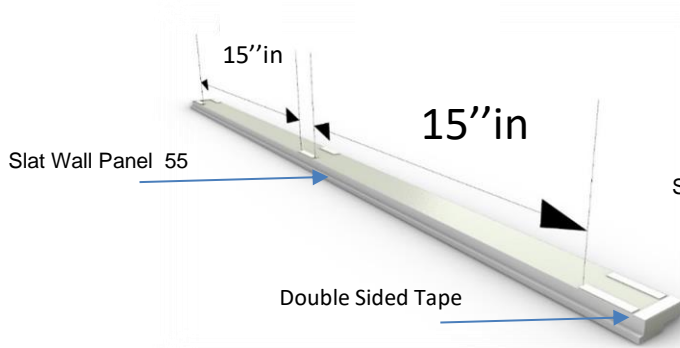


figure 5

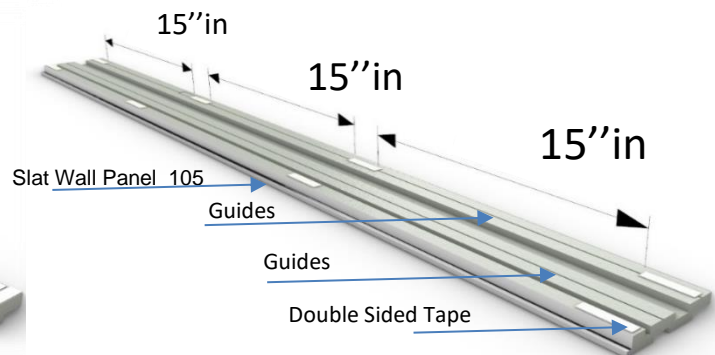


figure 6

- b. Apply Heavy Duty Adhesive to the back of the bar that will be in contact with the wall;

Slatted wall Panel 55: Apply a continuous, sinuous strands of Heavy Duty Adhesive along the length of the bars. See illustrative figure 7.

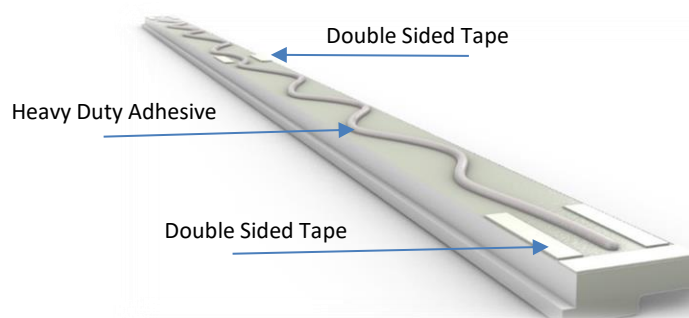
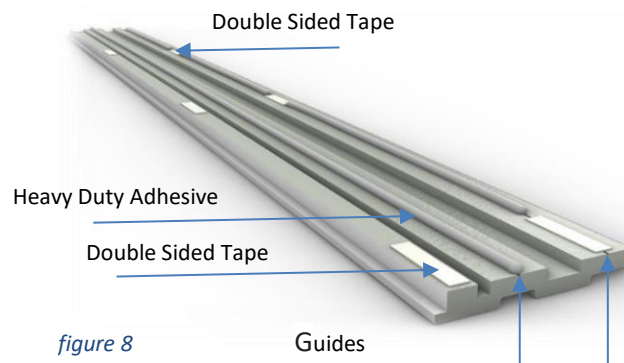


figure 7



Slatted wall Panel 105: Apply a continuous strands of Heavy Duty Adhesive to the guides along the length of the profile, then apply another bead between the breaks in the Double Sided Tape, see illustration figure 8.



- Now place the board in the installation position, fitting one into the other, and press it against the wall, see illustration figure 9. For a more efficient result, hold for about 30 seconds.



figure 9

- If top or side finishing is required, use the Panel Cap Moulding.
- Apply a continuous Strands of Instant Super Glue to the area of the bar that will be in contact with the wall, see illustration figure 10. Now place the bar in the desired installation position and press it against the surface. For a more efficient result, hold for about 30 seconds.

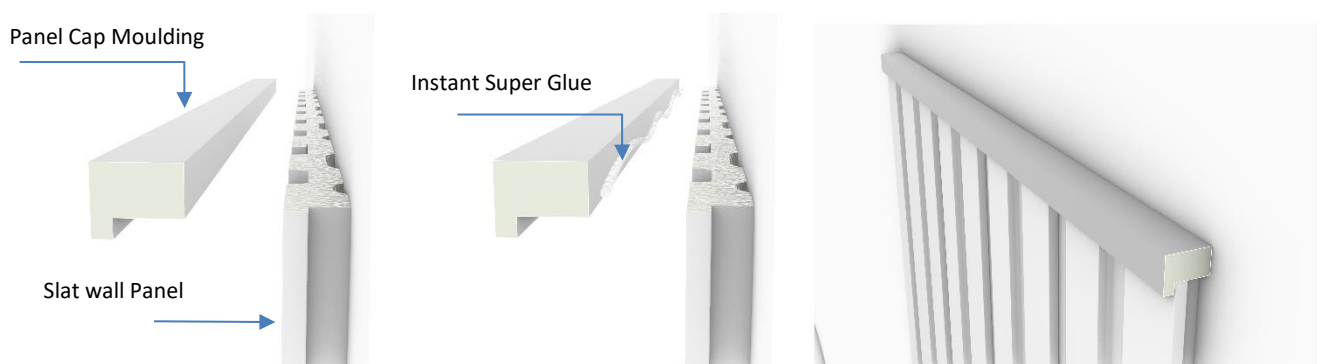


figure 10



2.3. WAVES

- See item 3 Technical drawing table
- Apply pieces of Double Sided Tape between 1' to 2' inch long, spaced no more than 15' inches apart. Start applying the Double Sided Tape at the ends of the bar and one more at each end. See Figure 11.
Apply two strands of Heavy Duty Adhesive, continuous along the length of the bar following its guides on the back of the bar, see illustration figure 13.

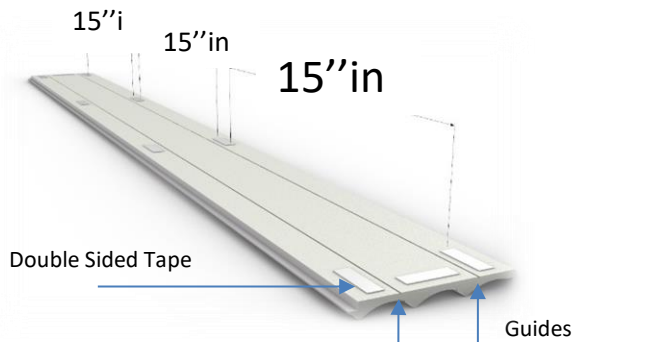


figure 11

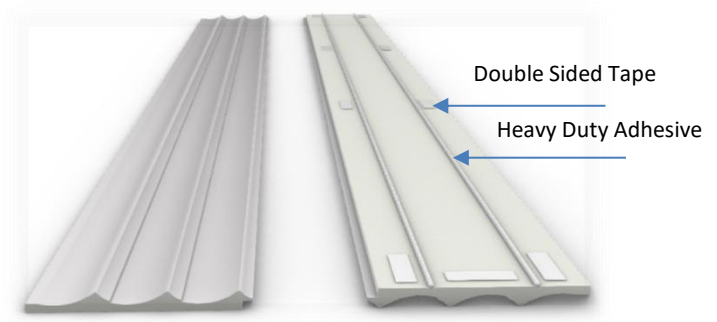


figure 12

Figure 13

- Now place the bar in the installation position, fitting one into the other, and press it against the wall, see illustration figure 14. For a more efficient result, press for 30 seconds
- It is also possible for the bar to be pinned or screwed to the sides of the bar, in order to guarantee a more efficient fixing. The pin or screw must be applied at the ends where it will be overlapped by the following bars, thus finishing the perforated area.
- If top or side finishing is required, use the Panel Cap Moulding.
- Apply a continuous strands of Instant Super Glue to the area of the bar that will be in contact with the wall, see illustration Figure 15 and 16 below. Now place the bar in the desired installation position and press it against the surface. For a more efficient result, hold for about 30 seconds.



Figure 14

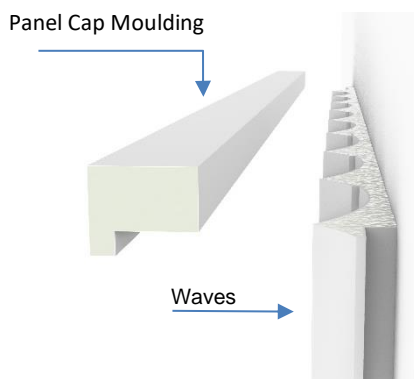


figure 15

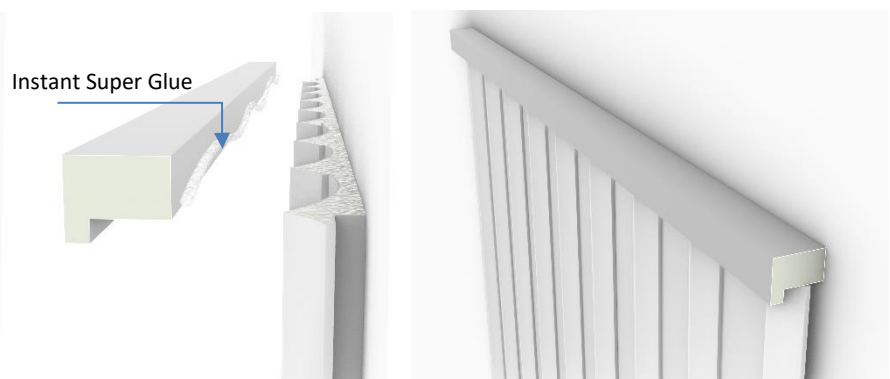


figure 16



2.4. GIZE

- See item 3 Technical drawing table
- a. Apply pieces of Double Sided Tape between 1' to 2' inch long, spaced no more than 15'' inches apart. Start applying the Double Sided Tape in the areas where the bar guides are not located and one more at each end. See illustration figure 17.
 - b. Apply two strands of Heavy Duty Adhesive, continuous along the length of the bar following its guides on the back of the bar, see illustration figure 18.

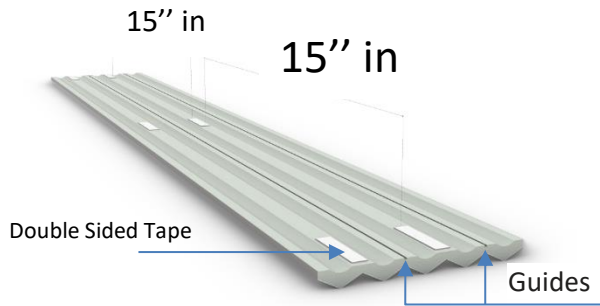


figure 17



figure 18

- c. Now place the bar in the installation position, fitting one into the other, and press it against the wall, see illustration figure 19. For a more efficient result, press for 30 seconds.



figure 19

- d. If top or side finishing is required, use the Panel Cap Moulding. Apply a continuous strands of Super Instant Glue to the area of the profile that will be in contact with the wall, see illustration 20 below. Now place the bar in the desired installation position and press it against the surface. For a more efficient result, hold for about 30 seconds.

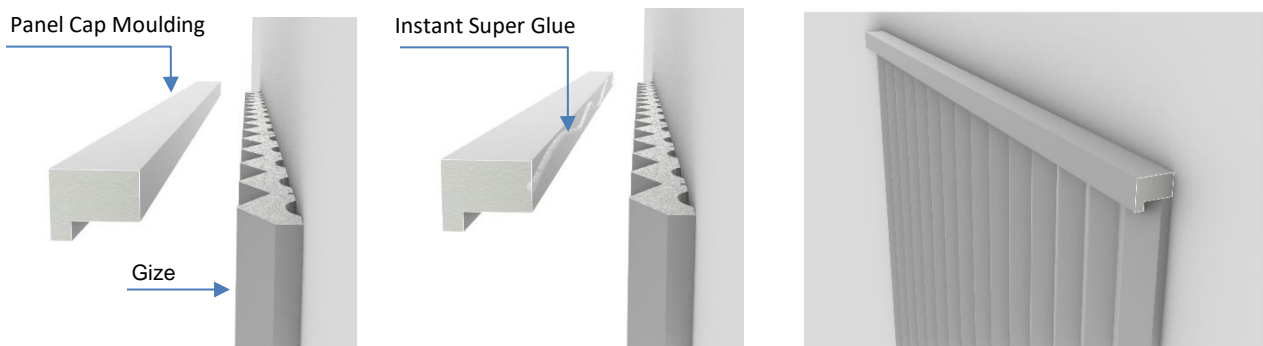


figure 20



2.5. UBA

- See item 3 Technical drawing table
- a. Apply pieces of Double Sided Tape between 1' to 2' inch long, spaced no more than 15' inches apart. Start applying the Double Sided Tape on the sides of the bar next to the guide, see illustration figure 21.
- b. Apply two continuous strands of Heavy Duty Adhesive along the length of the bar following its guides on the back of the bar, see illustration figure 22.

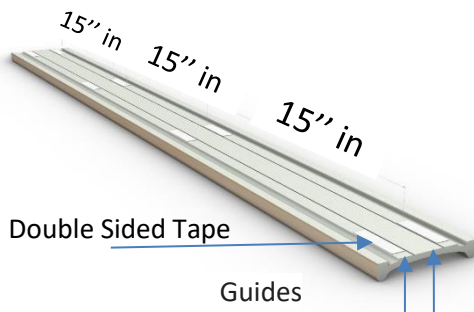


figure 21

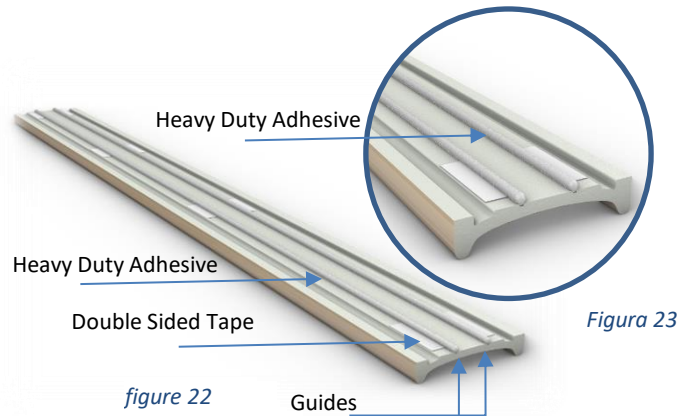


figure 22

- c. Now place the bars in the installation position, fitting one into the other, and press it against the wall, see illustration figure 24. For a more efficient result, press for 30 seconds.



figure 24

- d. If top or side finishing is required, use the Panel Cap Moulding.
- e. Apply a continuous strands of Instant Super Glue to the area of the bar that will be in contact with the wall, see illustration figure 25 below. Now place the bar in the desired installation position and press it against the surface. For a more efficient result, hold for about 30 seconds.



figure 25



2.6. Nero Collection

- See item 3 Technical drawing table
- Apply pieces of Double Sided Tape between 1' to 2' inch long, spaced no more than 15" inches apart. Start applying the Double Sided Tape in the areas where the bar guides are not located and one more at each end. See illustration figure 26.
 - Apply two strands of Heavy Duty Adhesive, continuous along the length of the bar following its guides on the back of the bar, see illustration figure 27.

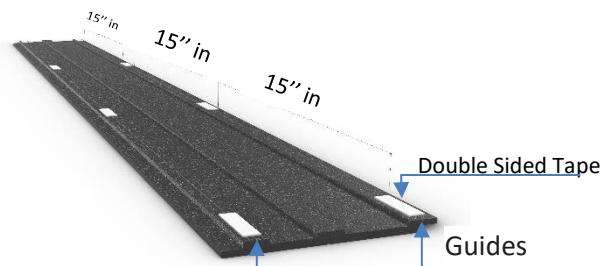


Figure 26

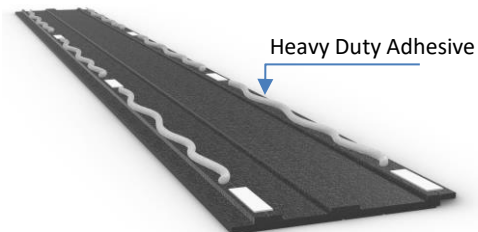


Figure 27

- Now place the bar in the installation position, fitting one into the other, and press it against the wall, see illustration figure 19. For a more efficient result, press for 30 seconds.
- It is also possible for the bars to be pinned or screwed to the sides of the profiles, to ensure a more efficient fixing. The pin or screw should be applied at the ends where it will be overlapped by the following bars, thus finishing the perforated area
- If top or side finishing is required, use the Panel Cap Moulding.
- Apply a continuous strands of Instant Super Glue to the area of the bar that will be in contact with the wall, see illustration figure 25 below. Now place the bar in the desired installation position and press it against the surface. For a more efficient result, hold for about 30 seconds.



Figure 28

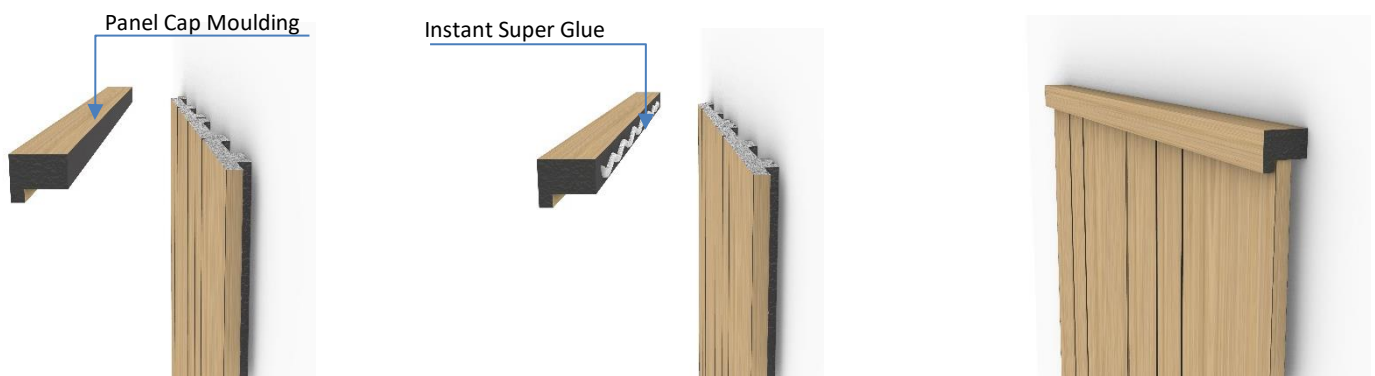


Figure 29

- Ceiling installation:** Ceiling installation: In the case of ceiling installation, it is advisable to follow the previous instructions together with a mechanical fixing, such as pins or screws in the areas of dark trim..
- Panel layout:** The Nero Collection offers 3 different bars, from which you can create creative and elegant layouts.



2.7. Wainscots

- See item 3 Technical drawing table
- a) The Wainscots is available in two sizes, bars de 9' ft e 4'ft.
- b) Apply pieces of Double Sided Tape between 1' to 2' inch long, spaced no more than 15'' inches apart. Start applying the Double Sided Tape in the areas where the bar guides are not located and one more at each end. See illustration figure 30.
- c) Apply two strands of Heavy Duty Adhesive, continuous along the length of the bar following its guides on the back of the bar, see illustration figure 31.

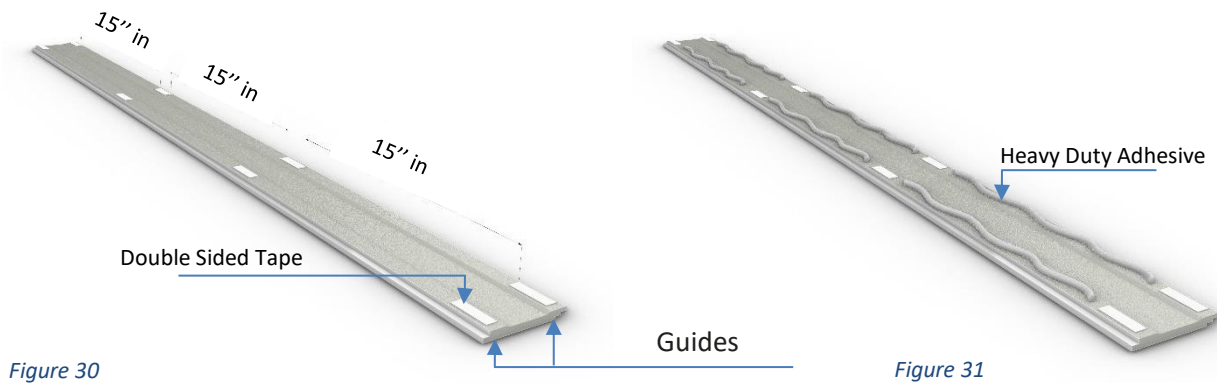


Figure 30

Figure 31

- d) Now place the bar in the installation position, fitting one into the other, and press it against the wall, see illustration figure 19. For a more efficient result, press for 30 seconds.

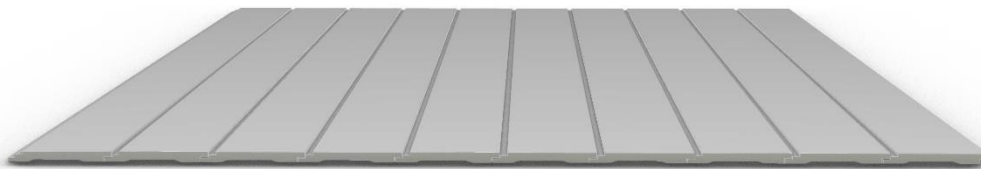


Figure 32

- h) If top or side finishing is required, use the Panel Cap Moulding.
- g. Apply a continuous strands of Instant Super Glue to the area of the bar that will be in contact with the wall, see illustration figure 25 below. Now place the bar in the desired installation position and press it against the surface. For a more efficient result, hold for about 30 seconds.

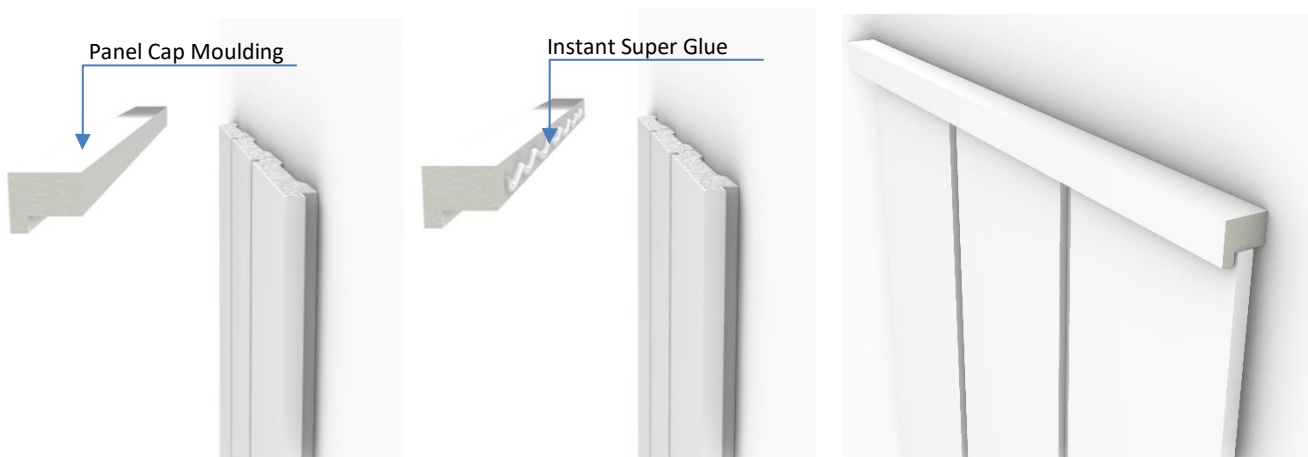
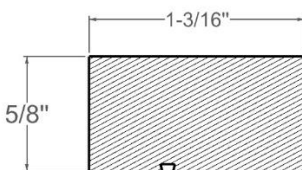
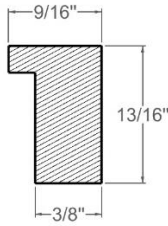
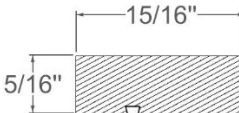
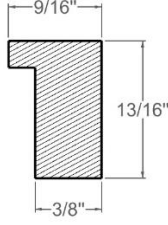
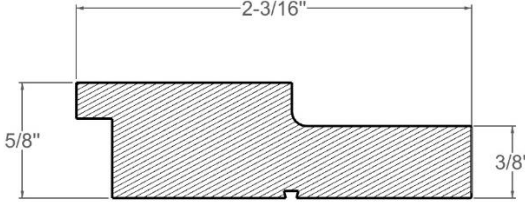
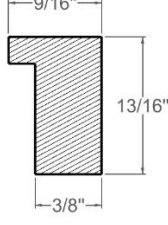
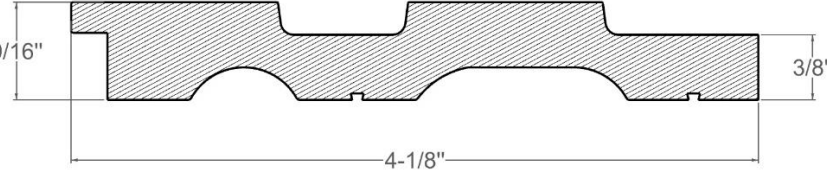
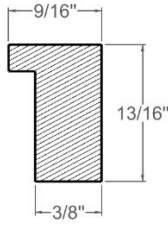
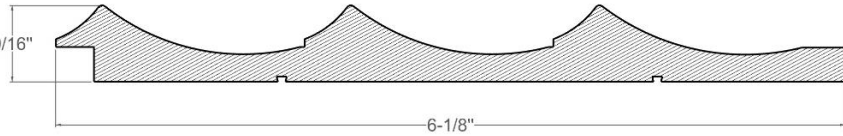
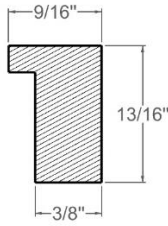


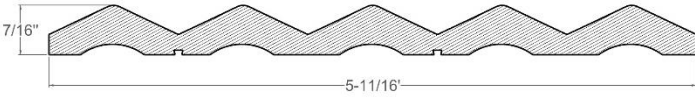
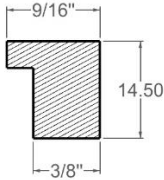
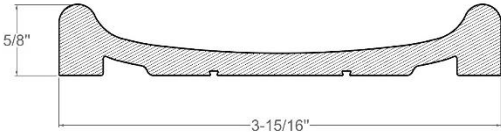
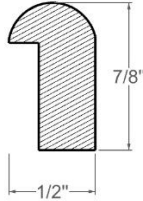
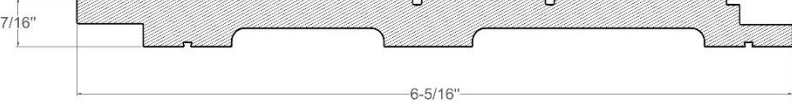
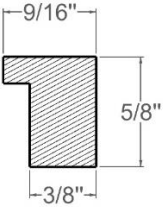
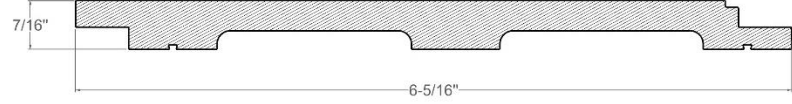
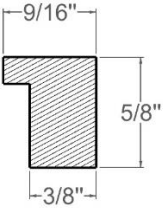
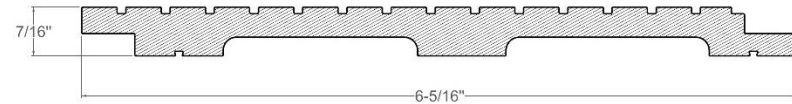
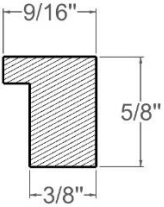
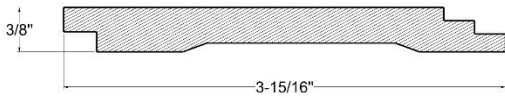
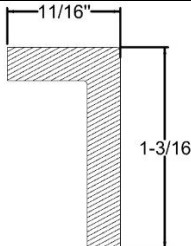
Figure 33



3. Technical drawing table

PROFILE NAME	PROFILE DRAWING	PANEL CAP MOULDING
Slat		
BATTEN		
SLATTED WALL PAINEL 55		
SLATTED WALL PAINEL 105		
WAVES		



<p>GIZÉ</p>		
<p>UBÁ</p>		
<p>NERO COLLECTION 686</p>		
<p>NERO COLLECTION 685</p>		
<p>NERO COLLECTION 684</p>		
<p>WAINSCOTS</p>		



4. SUGGESTED INSTALLATION MATERIALS

PAINT:

- All Surface Enamel Latex Base (Sherwin Williams) or similar product;
- All Surface Enamel Latex Primer (Sherwin Williams) or similar product;
- ProClassic® Interior Acrylic Latex Enamel (Sherwin Williams) or similar product;
- BEHR® Alkyd Semi-Gloss Enamel or similar product.

CAULK:

- Alex Fast Dry 10.1 oz. White Acrylic Latex Plus Silicone Caulk;
- PowerHouse™ Siliconized Acrylic Latex Sealant (Sherwin Williams);
- SherMax™ Urethanized Elastomeric Sealant;
- White Lightning® Mortar Patch Latex Caulk;
- STORM BLASTER® All Season Sealant.

GLUE:

- True Craft smen Demand LIQUID NAILS® Adhesive;
- 10-oz. Paneling and Molding Construction Adhesive;
- 10-oz. Heavy Duty Construction Adhesive;
- Gorilla Heavy Duty Construction Adhesive;
- Or Similar Heavy Duty product.

DOUBLE-SIDED TAPE:

- Scotch 1 in. x 12.5 yds. Indoor / Outdoor Mounting Tape;
- Scotch 1 in. x 1.52 yds. Indoor Mounting Tape;
- Scotch 1 in. W Two-Sided Tape.

TOOLS:

- DEWALT DW715 15-Amp 12-Inch Single-Bevel Compound Miter Saw;
- 15 Amp 12 in. Heavy-Duty Single-Bevel Compound Miter Saw;
- Hitachi 12-in 15-Amp Bevel Laser Compound Miter Saw.

5. 45° Union:

For sites with a height of more than 9' 2-1/4" ft , for example, which will require a butt joint between the bars. Avoid the straight cut, and use the 45° cut to reduce the appearance of the joint between the bars. When making the 45° cut, make it in the opposite direction to the observer. This will reduce the perception of a joint between the bars.

6. Ceiling application:

Use mechanical fasteners, such as a pin/screw, in addition to double-sided Tape and Heavy Duty Adhesive, see the wall application method mentioned above.

7. Important consumer information

INSTALLED PRODUCT IS CONSIDERED ACCEPTED PRODUCT!

Santa Luzia company is not responsible for the installation of the product.

Santa Luzia company reserves the right to make updates and/or changes to this document without prior notice.

To guarantee the quality of Santa Luzia products, it is important to follow the recommendations made in the manuals, which can be found on the product packaging and on our website (<https://www.industriasantaluzia.com.br/en>)

Santa Luzia company does not have contracted, accredited or authorized installers in any way. Therefore, it is not liable for providing installation services, which are the exclusive responsibility of the hired professionals.

For this reason, Santa Luzia does not authorize the use of its image, name or any form of use of its intangible property, in any way, to offer services by independent installers.

Any questions please contact us by email (customersupport@santaluziamouldings.com).

